



Austin MG

January, 1975

<p>SUBJECT:</p> <p>WINDSHIELD WIPER WHEELBOX ASSEMBLY</p>	<p>MODELS:</p> <p>ALL MODELS</p>
---	----------------------------------

A modified Lucas wheelbox assembly with improved control of the spindle end float is progressively being introduced on all models.

This wheelbox assembly is interchangeable with the earlier type and can be identified by a tang 'A' Fig. 1 on the backing plate. The part numbers remain unchanged.

NOTE:- When fitting the modified wheelbox assemblies in Service, a greater resistance will be felt when inserting the wiper rack due to the designed pre-load on the wheelbox spindle. This is normal and will free-off after a short running period.

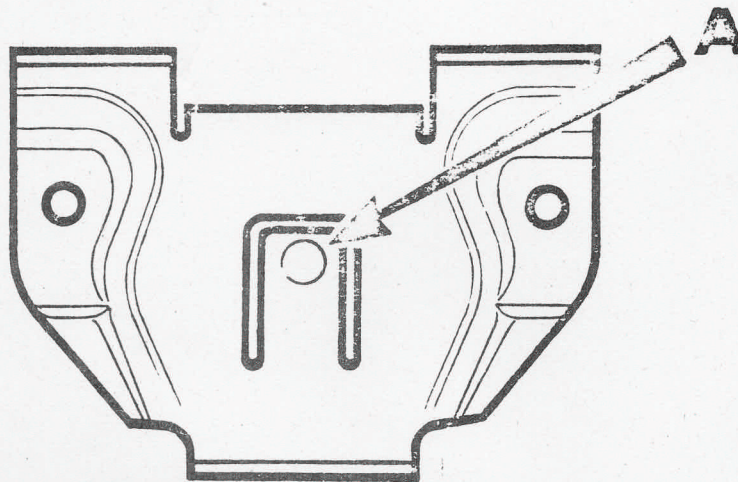


Fig 1

J.P.